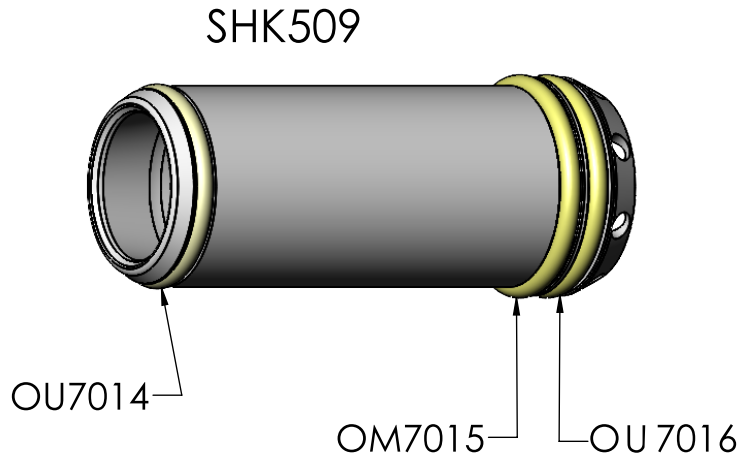
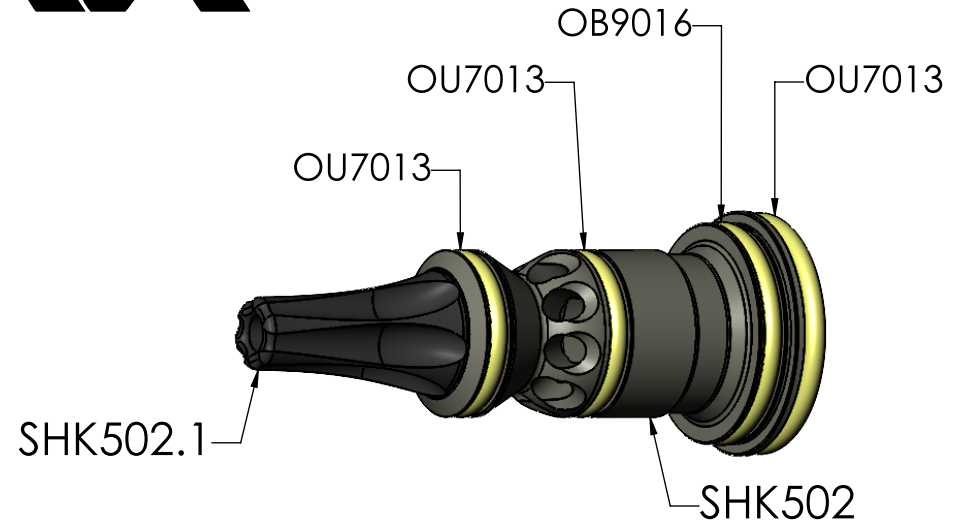
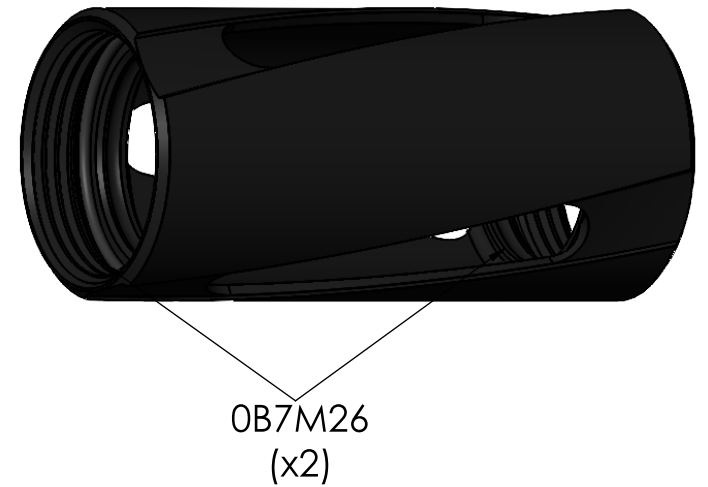


SHK561



SHK509

SHK408



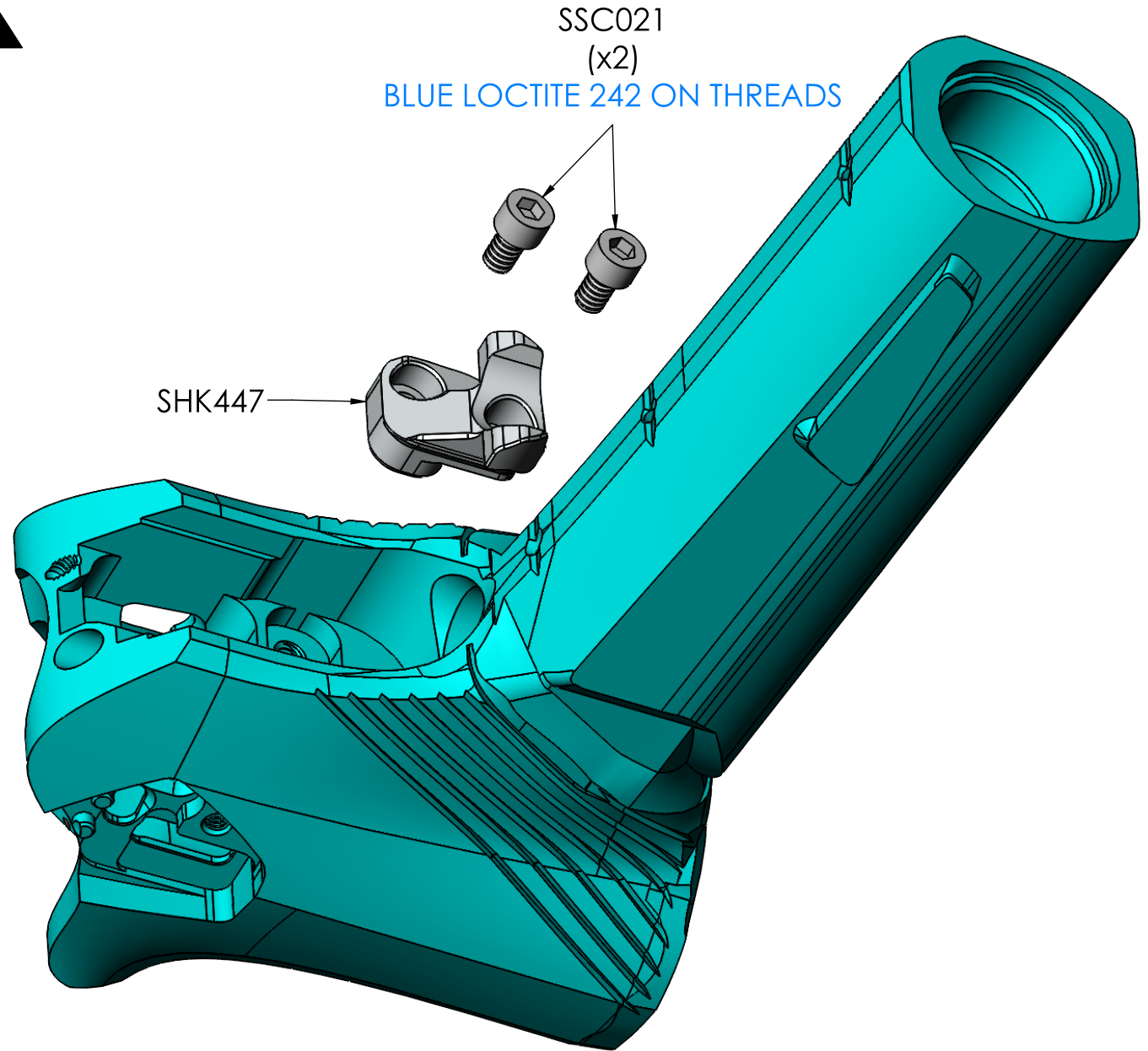
FORWARD BOLT COMPONENTS

ERA



GRIP FRAME ASSEMBLY

ERA



FRONT LATCH BLOCK + TUBE SUPPORT

ERA

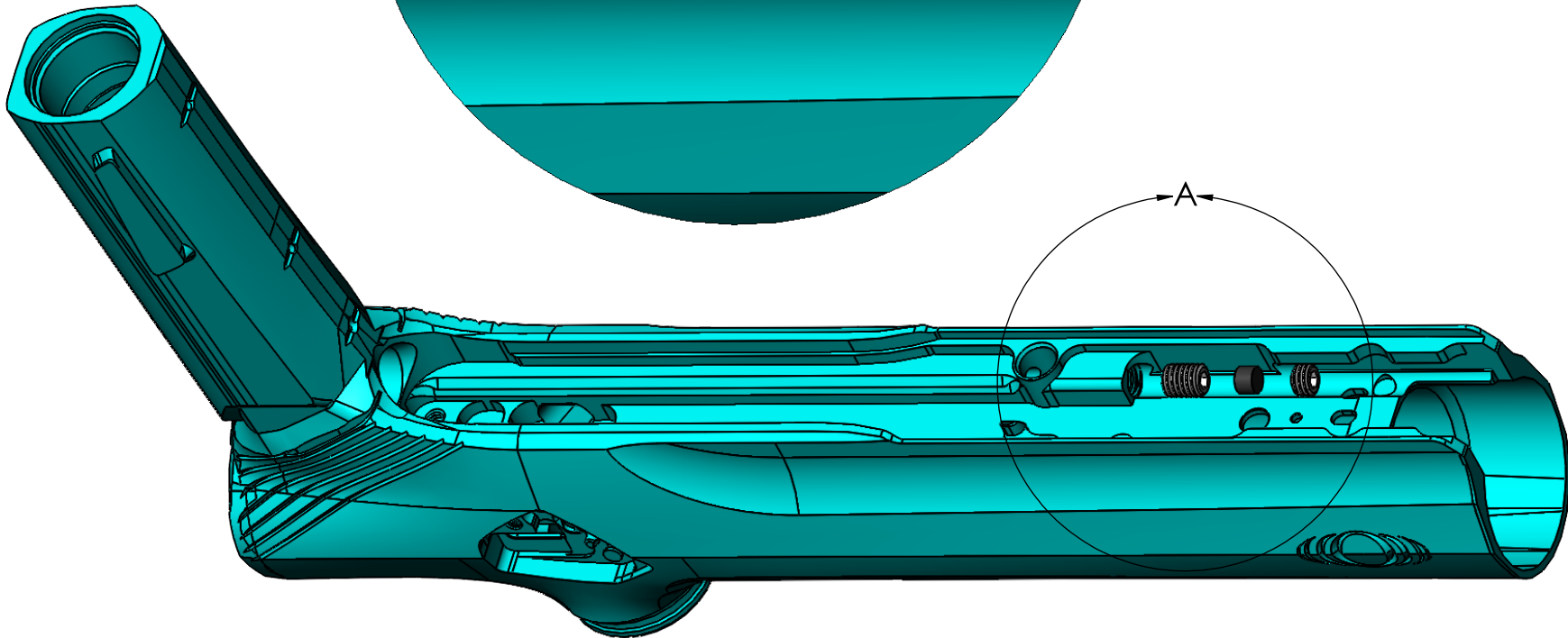
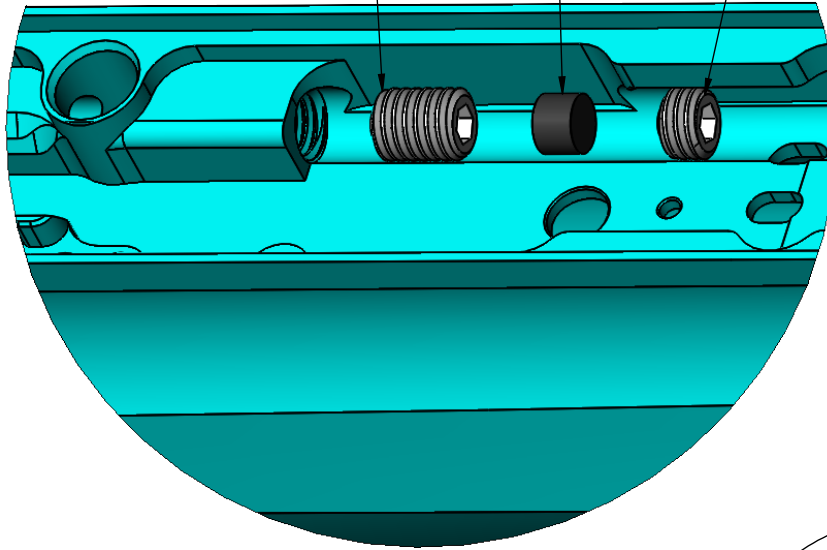
SOS020

PLG001

SOS002

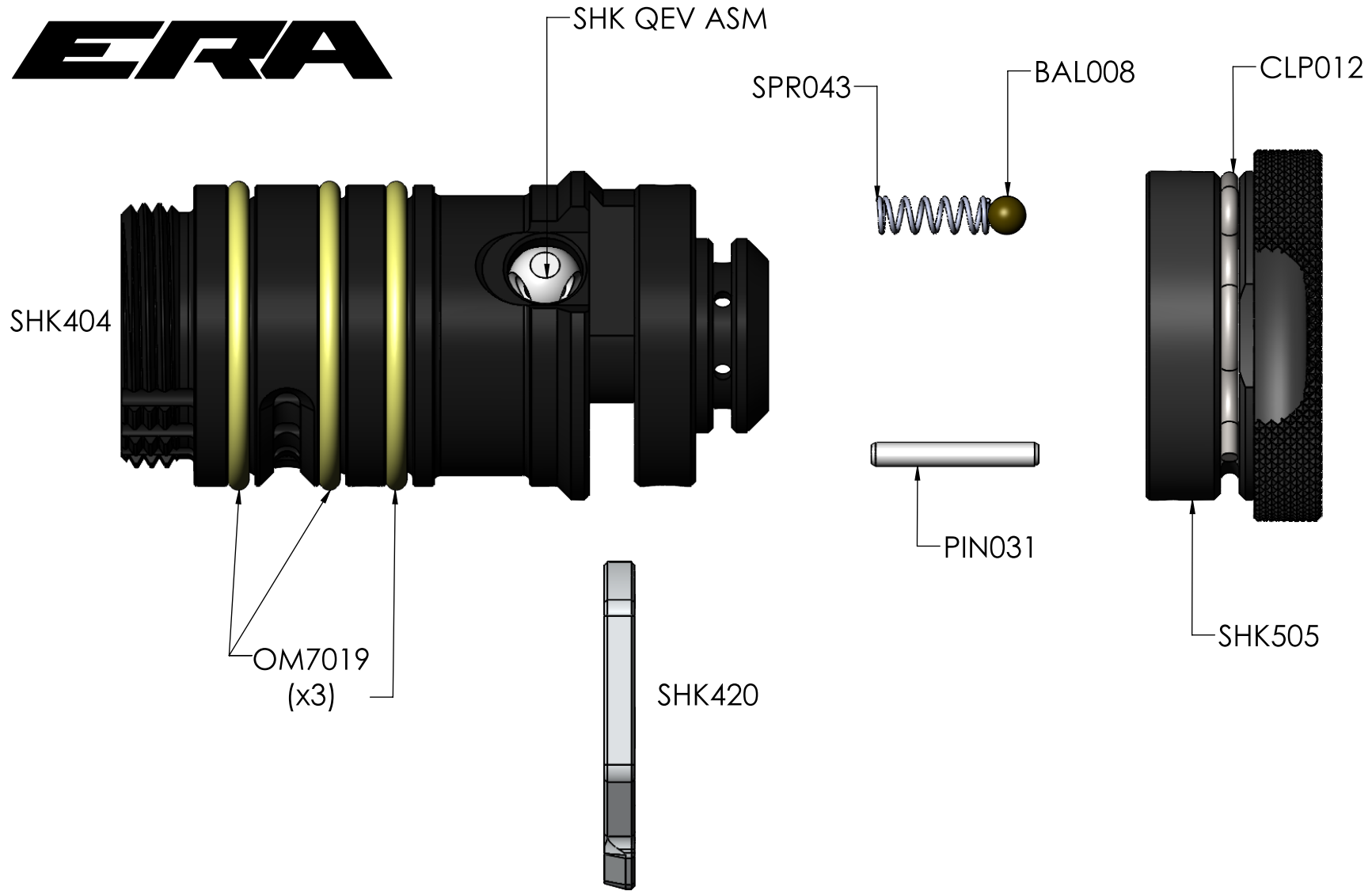
TIGHTENED TO 1 FOOT POUNDS OF TORQUE

DETAIL A
SCALE 2 : 1

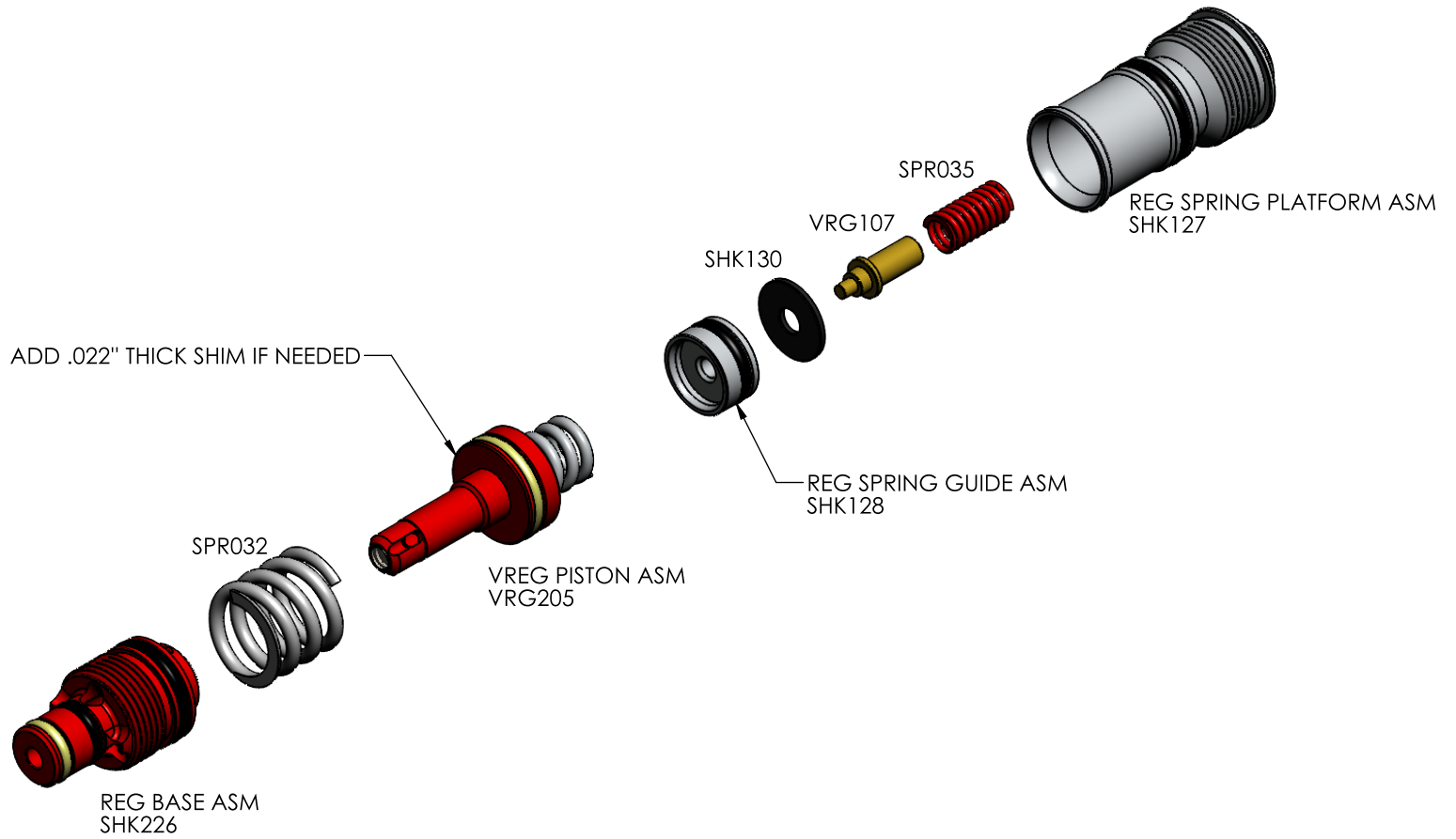


BODY PLUG

ERA

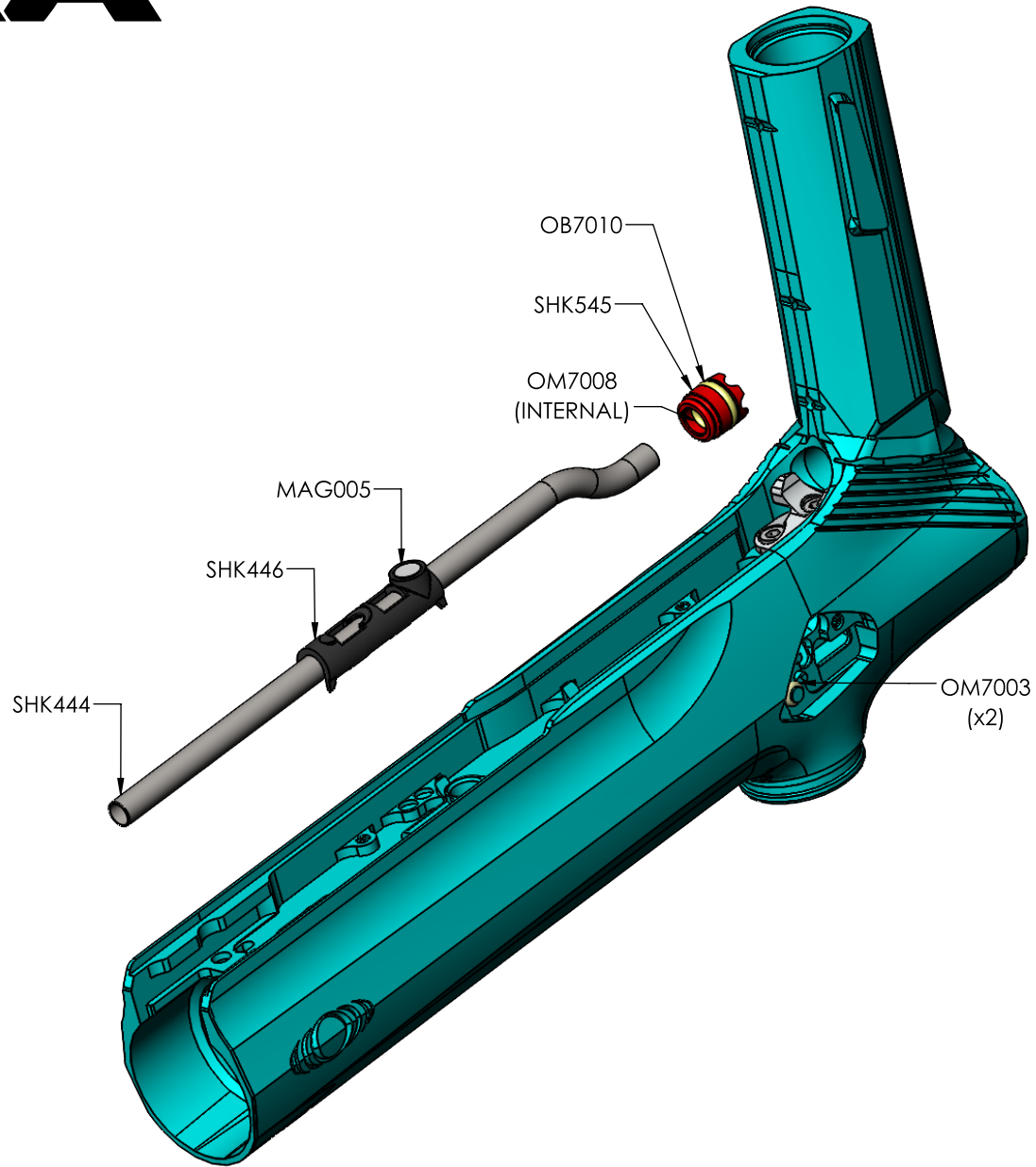


REAR BOLT AND LATCH ASSEMBLY



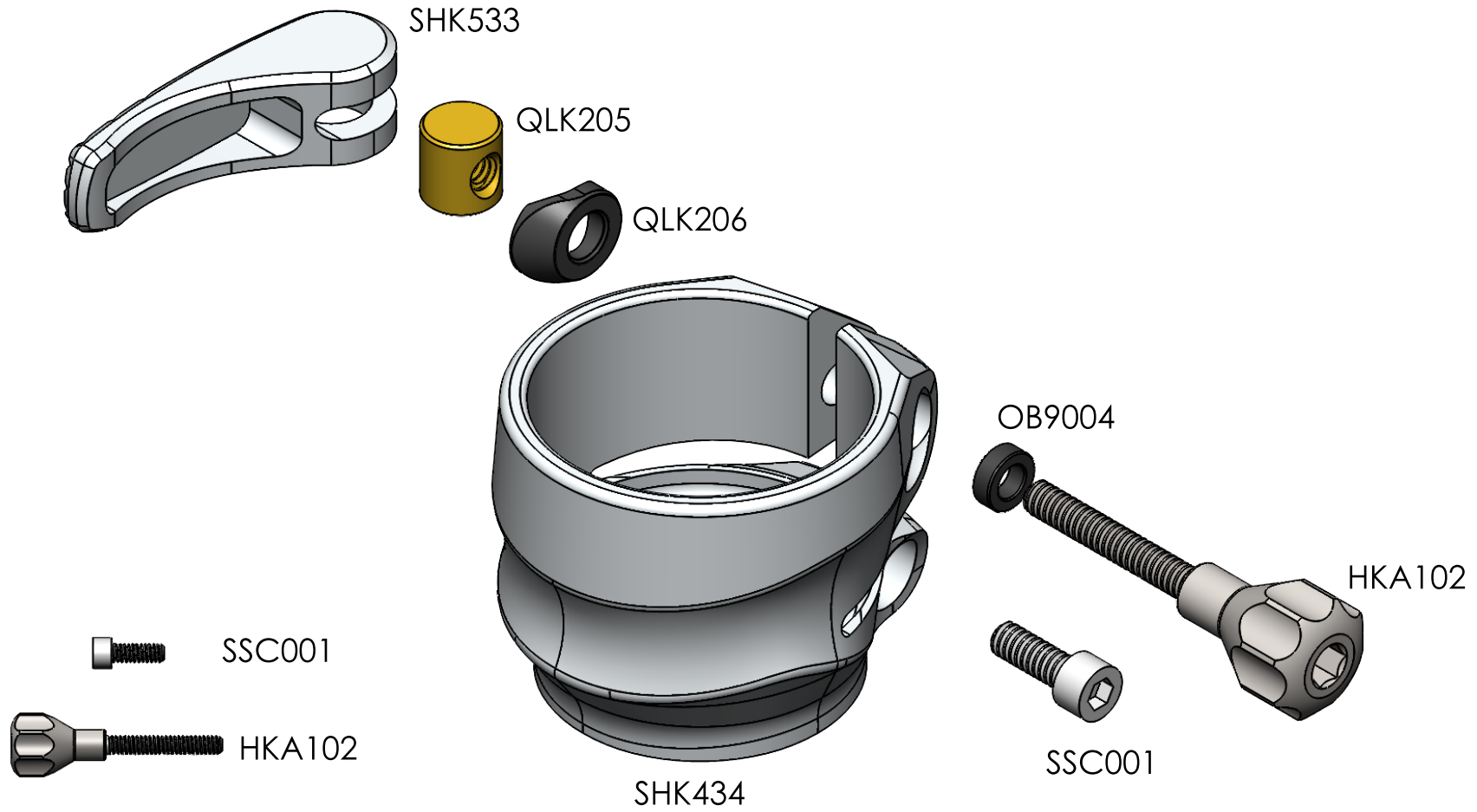
REGULATOR ASSEMBLY

ERA



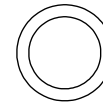
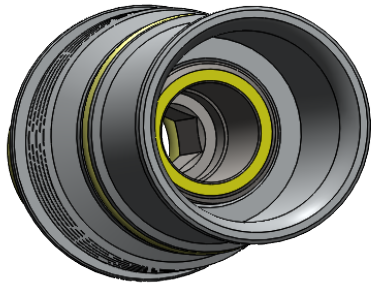
TRANSFER TUBE ASSEMBLY

ERA

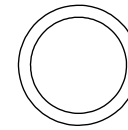


FEED TUBE ASSEMBLY

SCREW MUST THREAD INTO AT LEAST FLUSH WITH INSIDE SURFACE



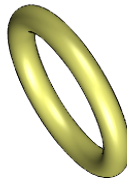
012



014

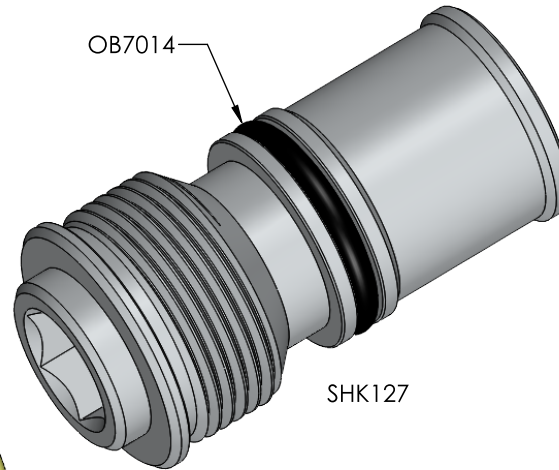
OM7012 - AS012 urethane 70 durometer
OB7014 - AS014 buna 70 durometer

OM7012
(ESTER MATERIAL)

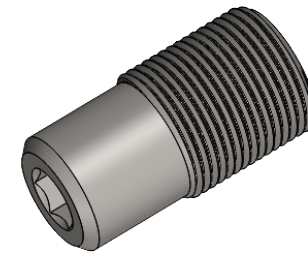


PUSH TOOL INTO SHK127
THEN INSERT INSIDE ORING

OB7014



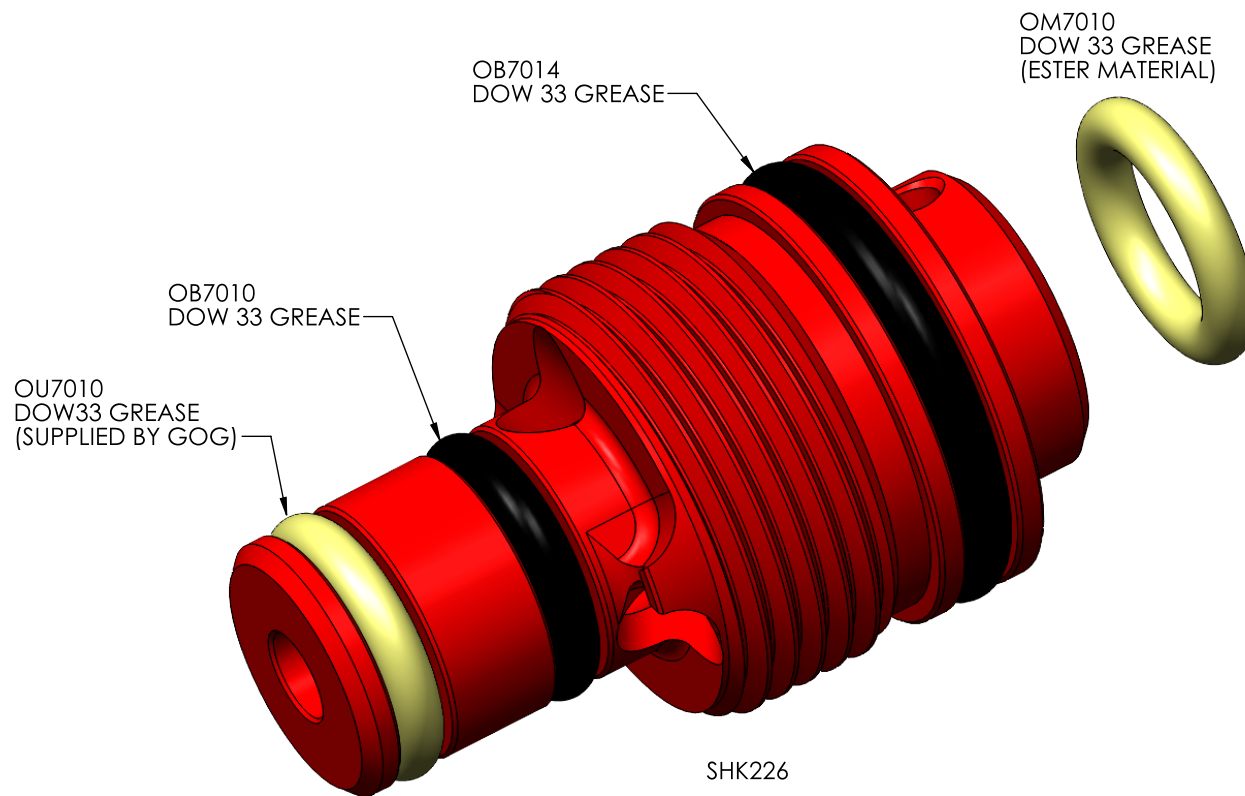
SHK127



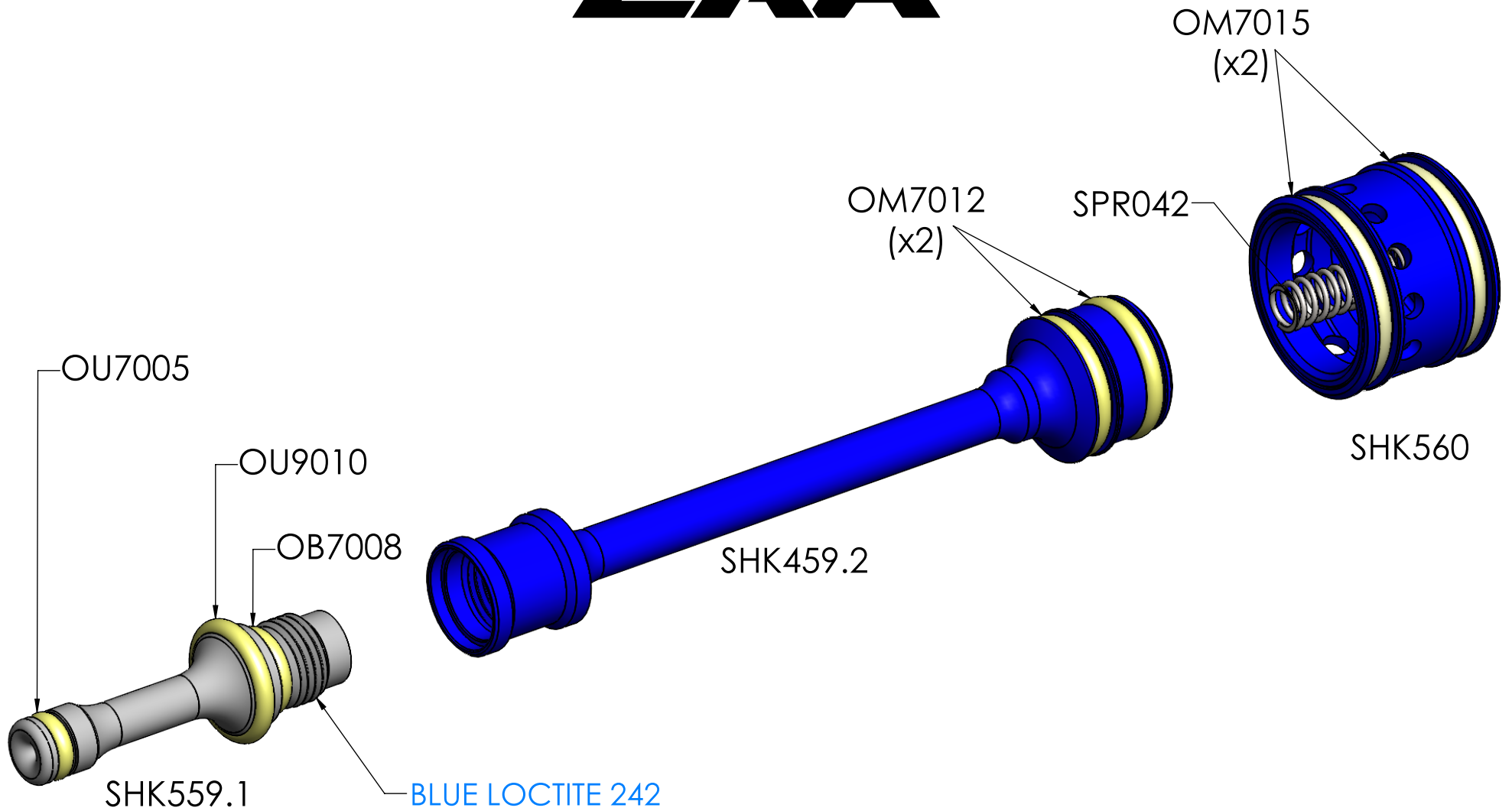
SHK129

LOWER REGULATOR ASSEMBLY

ERA

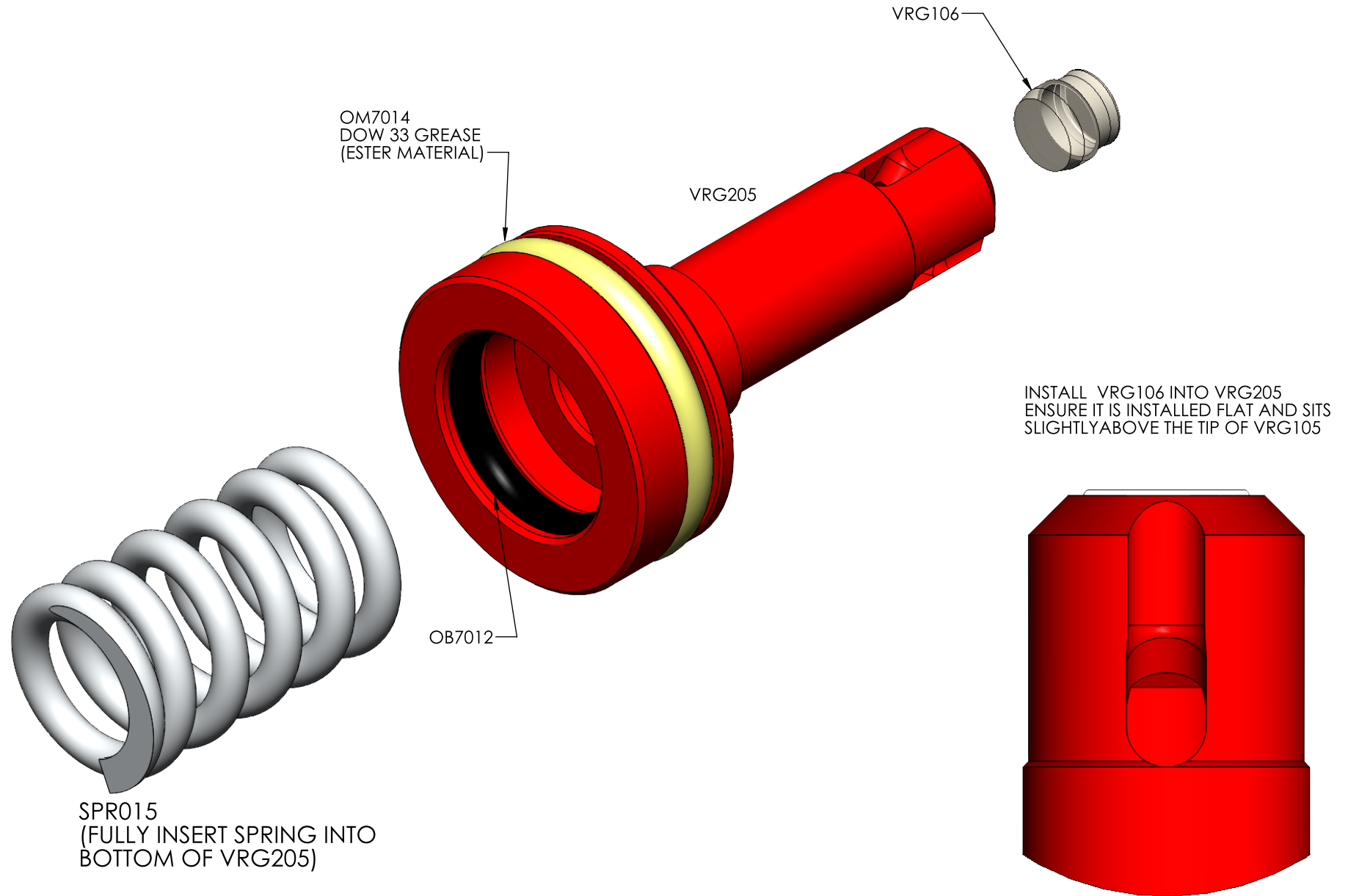


UPPER REGULATOR BASE

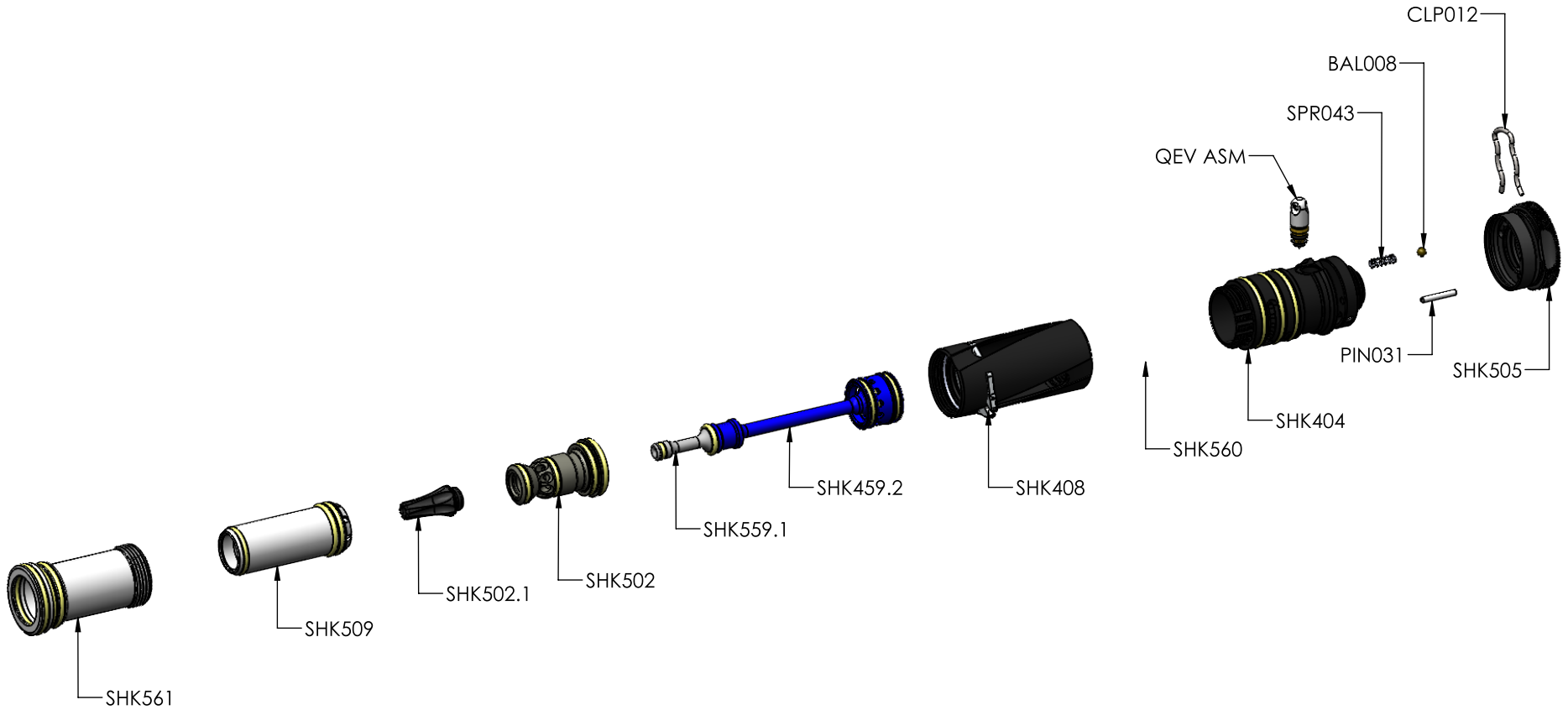


SPOOL ASSEMBLY

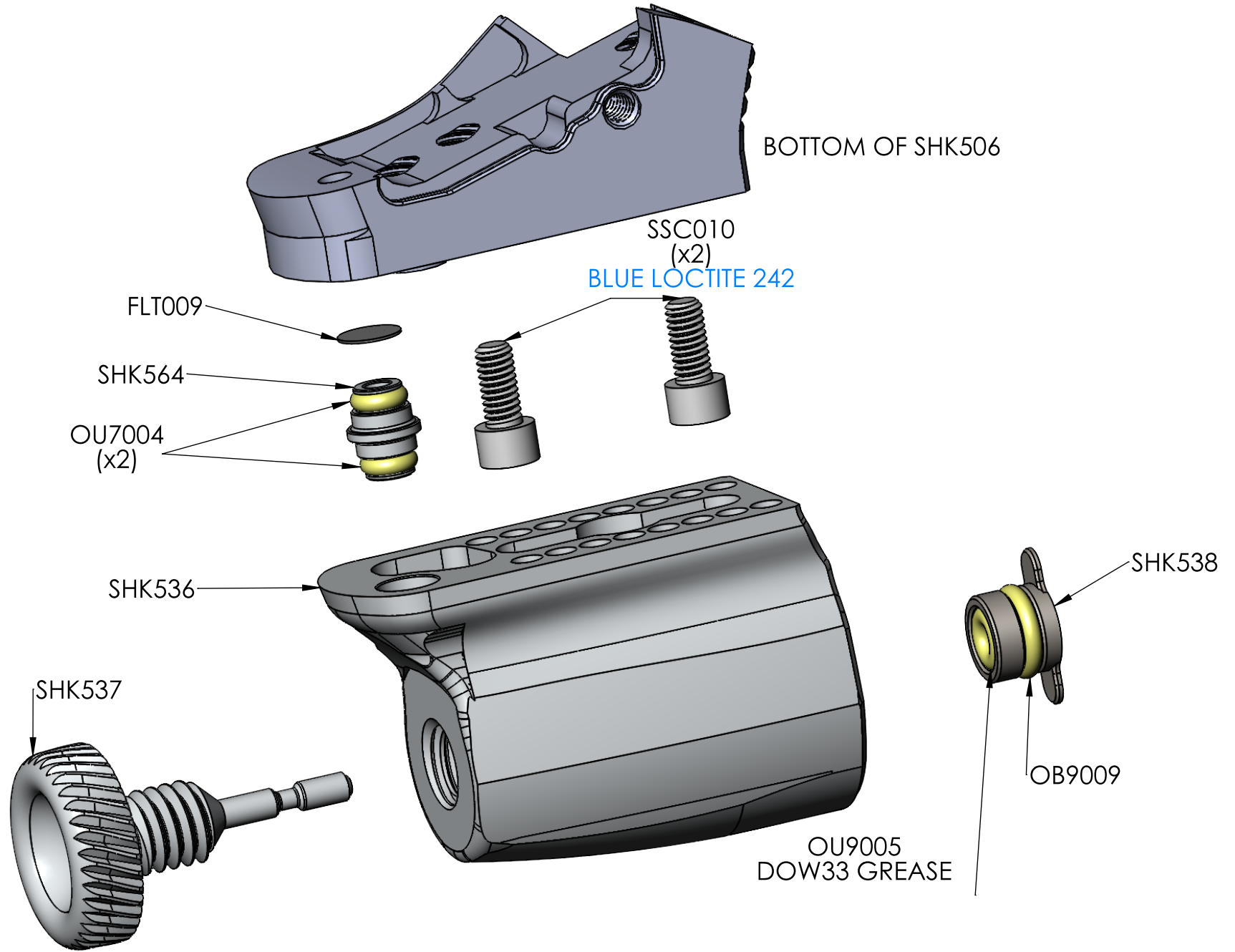
ERA



REGULATOR PISTON ASSEMBLY

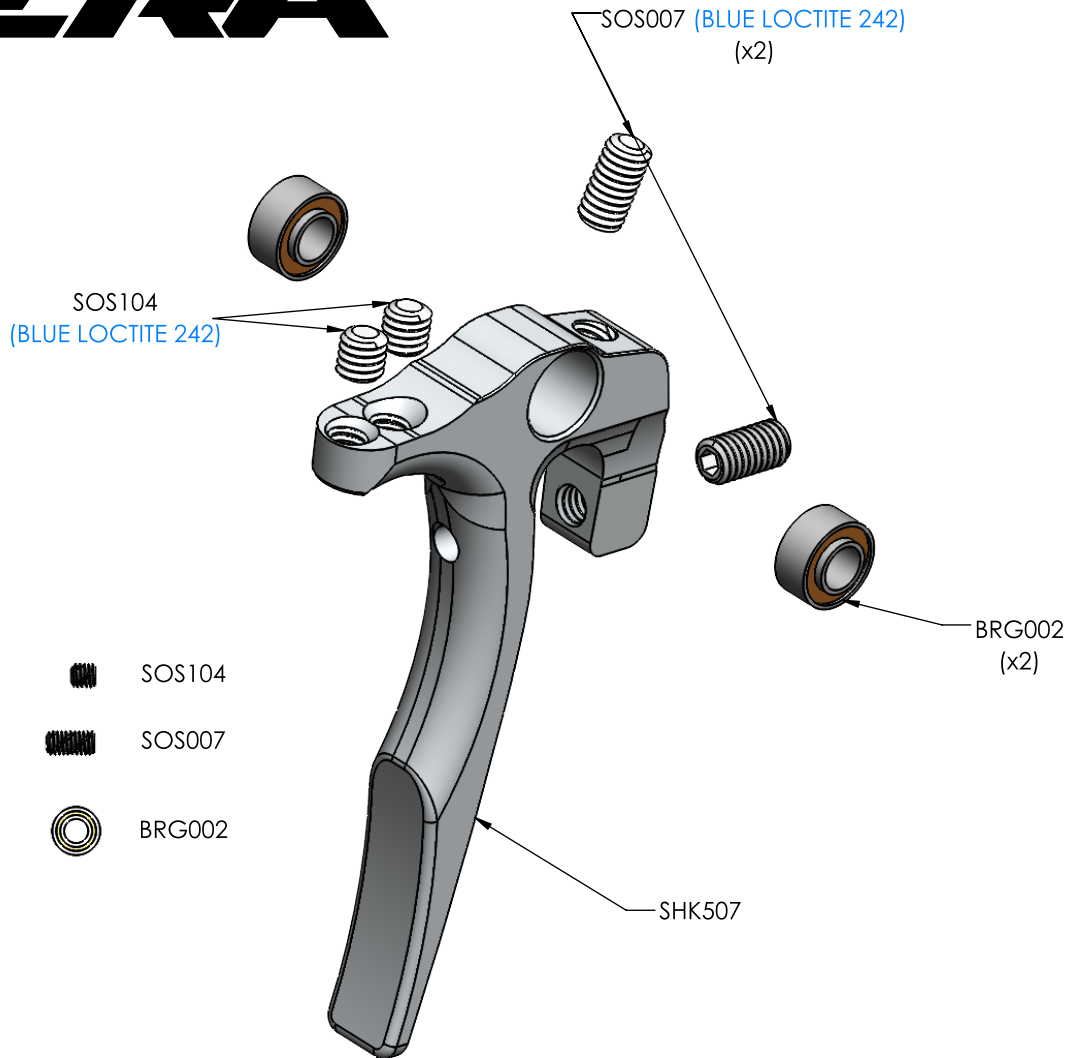


BOLT SYSTEM ASSEMBLY

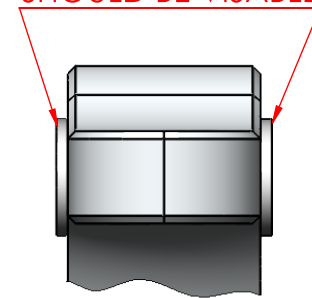


ERA

ERA

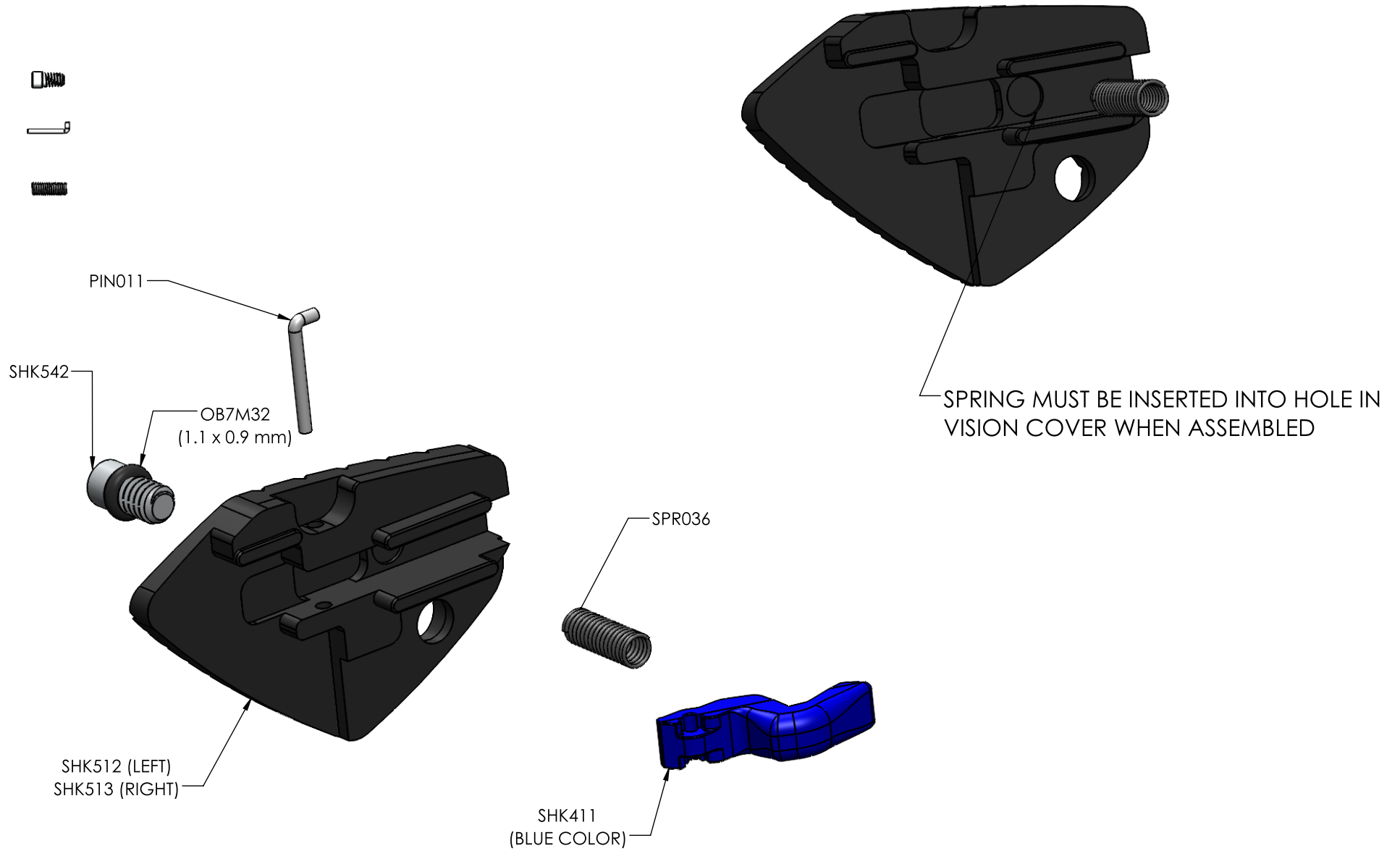


ONLY INNER RACE
OF BEARING
SHOULD BE VISABLE



TRIGGER ASSEMBLY

ERA



EYE COVER AND DETENT ASSEMBLY